

Reciprocating Compressors EUROCOMP Series

Air delivery from 112 to 1050 l/min – Pressure 10 and 15 bar



What do you expect from your workshop compressor?

Quality results can be achieved only by using quality tools and equipment. A dependable source of compressed air delivered by a high performance compressor is therefore essential for many applications. KAESER's Eurocomp series of stationary reciprocating compressors has successfully served trade and industry for decades. The choice of horizontal, vertical or free-standing air receivers allows these highly versatile compressors to be installed in any location.

Advantages of KAESER Eurocomp compressors include:

- Made in Germany – Quality KAESER compressor blocks manufactured from premium grade materials ensure maximum performance and outstanding service life.
- Cool compressed air thanks to an efficient aluminium after-cooler that also serves as a fan guard.
- Maintenance-free power transmission via direct coupling of the drive motor to the compressor block.
- Dual anti-vibration mounts, fitted as standard, keep sound levels to a minimum and prevent vibration transfer to the floor.
- Choice of sound enclosures to reduce noise levels by up to 10 dB (A), supplied fitted or as retrofit kits.

Providing exceptional performance and reliability, KAESER Eurocomp compressors ensure a quality compressed air supply that you can count on.

EUROCOMP

Quality and Performance



Quality compressor block from KAESER – Made in Germany

Made from premium grade materials and subjected to rigorous inspection, each Eurocomp compressor block component is meticulously machined and expertly assembled. Transmission losses are virtually eliminated, as the durable electric motor and compressor block are directly coupled to one another.



Corrosion-resistant valves

The valves in Eurocomp compressors feature stainless steel valve reeds and lift limiters which prevent carbon build up, improve discharge valve closure and extend operational life.



Highly effective cooling

Oil and compressed air temperatures are kept to a minimum by means of a large fan and cooling fins. This highly efficient cooling system significantly extends the life of the compressor and pneumatic tools.



Quality: Made in Germany

All KAESER Eurocomp compressor components, such as the compressor block and the electric motor, are made to the very highest standards of German design and engineering. As a result, Eurocomp compressor users benefit from greater system performance and considerably extended compressor service life. KAESER Eurocomp compressors are designed to provide many years of reliable service and to ensure a dependable supply of quality compressed air.



Quality Compressed Air for Trade and Industry

- Compact: Direct coupling of the drive motor to the compressor block
- Quality you can count on: Compressor block Made in Germany
- Versatile: The right compressor for every application



EUROCOMP – Horizontal air receiver version without sound enclosure	Single stage, 10 bar								Two stage, 15 bar					
	EPC 340-100 ^{*)}	EPC 440-100 ^{*)}	EPC 630-100 ^{*)}	EPC 630-250	EPC 840-100 ^{*)}	EPC 840-250	EPC 1100-500	EPC 1500-500	EPC 150-2-100-F ⁴⁾	EPC 230-2-100	EPC 420-2-250	EPC 550-2-250	EPC 750-2-500	EPC 1000-2-500
Displacement	350	450	660		840		1100	1500	150	230	420	550	750	1000
Effective FAD ¹⁾ at 6 bar l/min	230	300	440		590		770	1050	—					
Effective FAD ¹⁾ at 8 bar l/min	215	280	410		544		715	975	116	192	344	460	620	836
Effective FAD ¹⁾ at 12 bar l/min	—		—		—		—		112	118	336	450	610	820
Receiver volume	90		90	250	90	250	500		90		250		500	
Motor power ²⁾ 400 V kW	1.7	2.4	3		4		5.5	7.5	1.1	1.7	3	4	5.5	7.5
Motor power ²⁾ 230 V kW	—		—		—		—		1.25		—		—	
Number of cylinders	1	2	2		2		2		2		2		2	
Sound pressure level ³⁾ dB(A)	79	75	76		78		80	82	75	76	76	78	80	82
Length mm	1200	1210	1240	1600	1240	1650	2050		1130	1190	1630	1640	2050	
Width mm	380	500	570	570	600	600	690	800	460	440	570	570	680	710
Height mm	910	860	940	1120	940	1130	1300	1330	870	860	1190	1220	1330	1340
Weight kg	76	88	80	175	100	170	235	245	80	90	175	180	280	285
EUROCOMP – Horizontal air receiver version with sound enclosure														
Sound pressure level ³⁾ dB(A)	66	67		68		70	72	65	66	67	68	70	72	
Length mm	1230	1210	1240	1600	1240	1650	2050		1160	1170	1630	1710	2050	
Width mm	470		610	620	610		730		470		610	610	730	
Height mm	1020		1080	1260	1080	1240	1410		1020	1010	1240	1260	1410	
Weight kg	120	125	176	290	165	230	345	360	165	175	245	250	480	500

¹⁾ Effective FAD measured as per VDMA-sheet 4362 – ²⁾ Power supply: 400V, 3 Ph, 50 Hz; 230 V, 1 Ph, 50 Hz – ³⁾ Free field measurement as per DIN 45635 at 1 m distance – ⁴⁾ Mobile version – ^{*)} with type approval – no official certification required

- Space saving design with vertical air receiver
- Low speed operation reduces sound levels and increases service life
- Sound enclosures available ready fitted or as retrofit kits



EUROCOMP – Vertical air receiver version without sound enclosure	Single stage, 10 bar			Two stage, 15 bar					
	EPC 440-250	EPC 630-250	EPC 840-250	EPC 230-2-250 ¹⁾	EPC 420-2-250	EPC 550-2-250	EPC 550-2-350	EPC 750-2-500	EPC 1000-2-500
Displacement	450	660	840	230	420	550		750	1000
Effective FAD ¹⁾ at 6 bar l/min	300	440	590	—		—		—	
Effective FAD ¹⁾ at 8 bar l/min	280	410	544	192	344	460		620	836
Effective FAD ¹⁾ at 12 bar l/min	—			188	336	450		610	820
Receiver volume	250			250		250	350	500	
Motor power ²⁾ 400 V kW	2.4	3	4	1.7	3	4		5.5	7.5
Number of cylinders	2	2	2	2		2		2	
Sound pressure level ³⁾ dB(A)	77	76	78	76		78		80	82
Length mm	650			670	650	680	730	900	
Width mm	680	700	680	720	720	720	730	900	
Height mm	1710	1800	1820	1710	1800	1920	1980	2020	2050
Weight kg	125	150	155	150	175	180	190	325	
EUROCOMP – Vertical air receiver version with sound enclosure									
Sound pressure level ³⁾ dB(A)	67		68	66	67	68		70	72
Length mm	650			650	680	680	730	900	
Width mm	780	920		810	920	920	920	1090	
Height mm	1900	1970		1920	1950	1940	2040	2140	
Weight kg	160	260	260	200	250	260	315	440	490

¹⁾ Effective air delivery as per VDMA standard sheet 4362 – ²⁾ Power supply: 400V, 50 Hz, 3 Ph – ³⁾ Free field measurement to DIN 45635 at 1 m distance

Base-Mounted Compressors for Detached Installation

- The compressor unit and the compressor can also be installed separately
- Optionally ready fitted with sound enclosure (also available as retrofit kit)
- Available single or two stage compression to meet all compressed air needs



With sound enclosure
Also available for retrofit

Two stage, 15 bar

Single stage, 10 bar



EUROCOMP – Base-mounted compressors without sound enclosure	Single stage, 10 bar						Two stage, 15 bar					
	EPC 340-G	EPC 440-G	EPC 630-G	EPC 840-G	EPC 1100-G	EPC 1500-G	EPC 150-2-G	EPC 230-2-G	EPC 420-2-G	EPC 550-2-G	EPC 750-2-G	EPC 1000-2-G
Displacement	350	450	660	840	1100	1500	150	230	420	550	750	1000
Effective FAD ¹⁾ at 6 bar l/min	230	300	440	590	770	1050	—	—	—	—	—	—
Effective FAD ¹⁾ at 8 bar l/min	215	280	410	544	715	975	116	192	344	460	620	836
Effective FAD ¹⁾ at 12 bar l/min	—	—	—	—	—	—	112	188	336	450	610	820
Motor power ²⁾ 400 V kW	1.7	2.4	3	4	5.5	7.5	1.1	1.7	3	4	5.5	7.5
Number of cylinders	1	2	2	2	2	2	2	2	2	2	2	2
Sound pressure level ³⁾ dB(A)	76	77	76	78	80	82	75	76	76	78	80	82
Length mm	520	510	630	630	800	790	510	630	630	800	800	800
Width mm	360	510	580	600	690	800	430	440	570	600	670	720
Height mm	550	440	540	550	610	650	420	430	590	610	630	650
Weight kg	40	50	70	70	100	130	40	45	70	95	125	130
Control and connecting components incl. hose	•	•	•	•	•	•	•	•	•	•	•	•
EUROCOMP – Base-mounted compressors with sound enclosure												
Sound pressure level ³⁾ dB(A)	66	67	67	68	70	72	65	66	67	68	70	72
Length mm	810	920	920	1080	1090	780	810	920	920	1080	1080	1080
Width mm	470	620	620	730	730	470	610	730	730	730	730	730
Height mm	640	720	720	800	800	620	640	720	720	800	800	800
Weight kg	95	100	125	130	240	260	95	100	160	155	260	285

¹⁾ Effective air delivery as per VDMA standard sheet 4362 – ²⁾ Power supply: 400V, 50 Hz, 3 Ph – ³⁾ Free field measurement to DIN 45635 at 1m distance

Suited to a wide variety of applications, Eurocomp compressors provide the user with a highly versatile and reliable source of quality compressed air.

Standard Equipment

Compressor

- Air cooled compressor block with oil ring lubrication (splash oil lubrication up to 2.4 kW)
- Air inlet filter with silencer
- Aluminium cylinder heads and additional cooling pipes ensure excellent heat dissipation
- Multi-chamber, aluminium ring cooler; also serves as a fan guard (3 kW model upwards)
- Low noise, lightweight reed valves
- Oil filler, oil vent, oil drain plug and oil level sight glass
- Motor directly coupled to the compressor block
- Compressor, motor and air receiver fitted with anti-vibration mounts, flexible hose connection between compressor and air receiver
- Anti-vibration mounts between air receiver and floor

Motor

- Four-pole, 1500 rpm, three-phase 400 V/50 Hz
- IP 54 enclosure protection, B 15 construction
- Integrated axial fan for compressor and motor cooling

Optional Extras (Additional cost)

- Sound enclosure
- Operating hours counter
- Alarm contact
- Electronic condensate drain installed on the air receiver
- Screw adjustable machine feet, or guide rollers
- Foodstuff compliant, synthetic or silicon-free oil
- Power cable with / without plug
- Oil level monitor with automatic shutdown if oil level is too low

Accessories



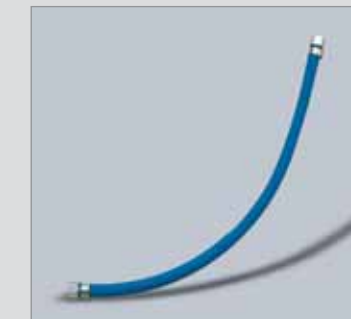
Star-delta 'Start Control'

Control cabinet with automatic star-delta protection combination. Dust and water resistant as per IP 54. With operating hours counter and KAESER CONTROL monitoring module (necessary for motor powers from 5.5 kW).



Electronic condensate drain for retrofit installation

Level-sensing controlled ECO DRAIN condensate drain. Complete set for installation on air receiver. Including all assembly components and fittings.



Airhose

Flexible hose for connection of the air receiver to the compressed air distribution network (hose length 1 m).



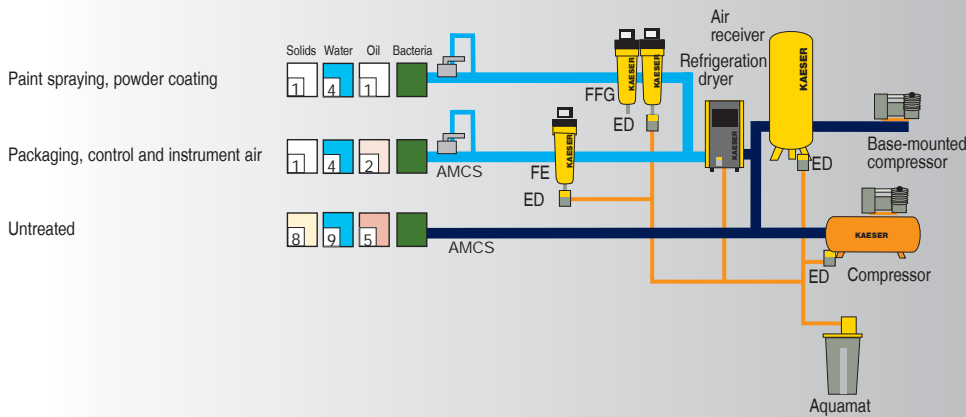
Compressed air storage and drying

Galvanised air receiver as per EU regulation 87/404. Standard fittings comprise: Check valve, type-approved pressure relief valve, pressure gauge, test flange, ball valve. Energy-saving refrigeration dryer for dry compressed air.

Choose the required grade of treatment according to your field of application:

Air treatment using a refrigeration dryer (3 °C pressure dew point)

Examples: Selection of treatment classes to ISO 8573-1



Explanation:

ED = ECO-DRAIN
Electronic level-controlled condensate drain

FB = Pre-filter

FC = Pre-filter

FE = Micro-filter

Separates aerosol oil and solid particles

FF = Micro-filter

Separates aerosol oil and solid particles

FG = Activated carbon filter

For adsorption of oil vapours

FFG = Activated carbon and micro-filter combination

RD = Refrigeration dryer

For drying compressed air, pressure dew point to +3 °C

Aquamat = Condensate treatment system

AMCS = Air-main charging system

Contaminants:

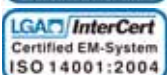
+	Solids	-
+	Water/condensate	-
+	Oil	-
+	Bacteria	-

Degree of filtration:

Class ISO 8573-1	Solid particles ¹⁾		Humidity ²⁾	Total oil content ²⁾
	Max. particle size µm	Max. particle concentration mg/m ³	Pressure dew point (x= liquid water ing/m ³)	mg/m ³
0	e.g. Consult Kaeser regarding pure air and cleanroom technology			
1	0,1	0,1	≤ - 70	≤ 0,01
2	1	1	≤ - 40	≤ 0,1
3	5	5	≤ - 20	≤ 1
4	15	8	≤ + 3	≤ 5
5	40	10	≤ + 7	-
6	-	-	≤ + 10	-
7	-	-	x ≤ 0,5	-
8	-	-	0,5 < x ≤ 5	-
9	-	-	5 < x ≤ 10	-

¹⁾ As per ISO 8573-1:1991

²⁾ As per ISO 8573-1:2001



KAESER KOMPRESSOREN GmbH

P.O. Box 2143 – 96410 Coburg – GERMANY – Tel: +49 9561 640-0 – Fax: +49 9561 640130

www.kaeser.com – e-mail: productinfo@kaeser.com